

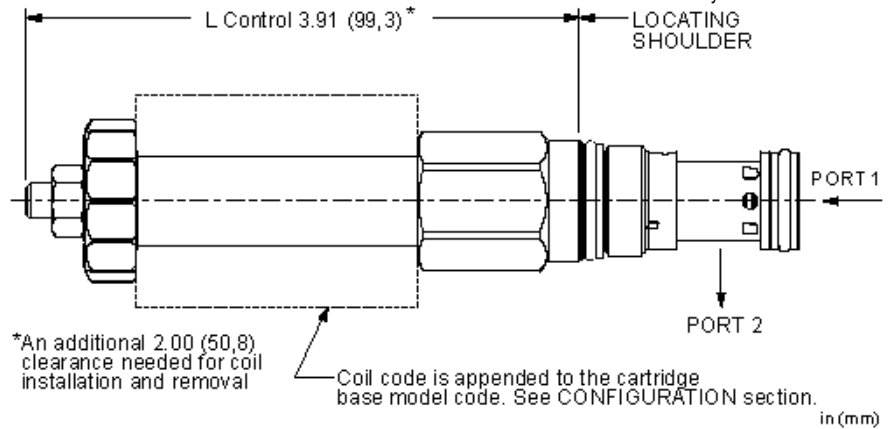
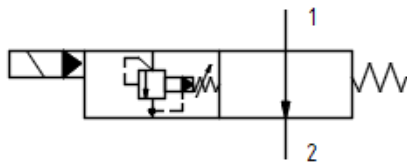
# Pressure Control, FLeX Series Cartridges

*Powered by Sun **QuickPrint**,  
your on-demand, customized catalogue solution.*

*This information is subject to change without notice. Visit [www.sunhydraulics.com](http://www.sunhydraulics.com) for complete and up to date information.*

RVCK	FLeX Series 2-stage, solenoid-operated adjustable relief valve, normally vented	.....1
RVCL	FLeX Series 2-stage, solenoid-operated adjustable relief valve, energize to vent	.....2
RVCM	FLeX Series 2-stage, solenoid-operated adjustable relief valve, energize to block	.....3
RVCN	FLeX Series 2-stage, solenoid-operated adjustable relief valve, normally blocked	.....4

Series	Ports	Cavities
<b>Series Z Cartridges</b> 3/8-24 UNF Cartridge Thread 5 mm Valve Hex Size 11 - 14 Nm Valve Installation Torque	3-Port	T-382A
<b>Series P Cartridges</b> M16 Cartridge Thread 22,2 mm Valve Hex Size 27 - 33 Nm Valve Installation Torque	2-Port 2-Port (Deep) 3-Port	T-8A T-8DP T-9A
<b>Series 0 Cartridges</b> M16 Cartridge Thread 19,1 mm Valve Hex Size 25,4 mm Valve Hex Size 27 - 33 Nm Valve Installation Torque	2-Port 2-Port (Deep) 3-Port 3-Port 4-Port	T-162A T-162DP T-150A T-163A T-30A
<b>Series 1 Cartridges</b> M20 Cartridge Thread 22,2 mm Valve Hex Size 41 - 47 Nm Valve Installation Torque	2-Port 2-Port 3-Port 4-Port 4-Port 6-Port	T-10A T-13A T-11A T-21A T-31A T-61A
<b>Series 2 Cartridges</b> 1"-14 UNS Cartridge Thread 28,6 mm Valve Hex Size 61 - 68 Nm Valve Installation Torque	2-Port 2-Port 3-Port 4-Port 4-Port 4-Port (Dual path) 6-Port 6-Port	T-3A T-5A T-2A T-22A T-32A T-52AD T-52A T-62A
<b>Series 3 Cartridges</b> M36 Cartridge Thread 31,8 mm Valve Hex Size 203 - 217 Nm Valve Installation Torque	2-Port 3-Port 4-Port 4-Port 4-Port (Dual path) 6-Port 6-Port	T-16A T-17A T-23A T-33A T-53AD T-53A T-63A
<b>Series 4 Cartridges</b> M48 Cartridge Thread 41,3 mm Valve Hex Size 474 - 508 Nm Valve Installation Torque	2-Port 2-Port (Undercut) 3-Port 3-Port (Undercut) 4-Port 4-Port (Undercut) 4-Port 4-Port (Dual path) 6-Port 6-Port	T-18A T-18AU T-19A T-19AU T-24A T-24AU T-34A T-54AD T-54A T-64A



This FLeX Series solenoid-operated, 2-stage, balanced relief cartridge is a pressure regulating valve.

The valve is normally vented. When vented (de-energized), the pressure drop from the inlet (port 1) to tank (port 2) is typically 100 psi (see performance curves).

Energizing the solenoid activates the relief function. In relief mode, the valve opens to tank (port 2), throttling flow to regulate the pressure when the pressure at the inlet (port 1) reaches the valve setting. The setting is adjustable with an adjust screw.

**TECHNICAL DATA**

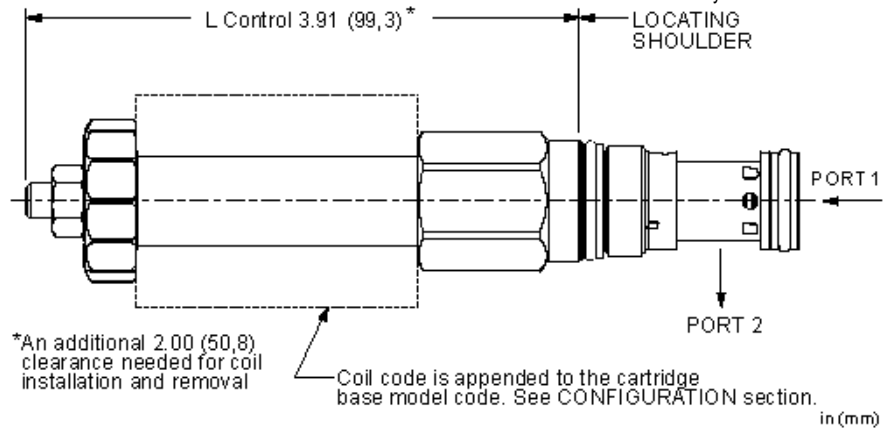
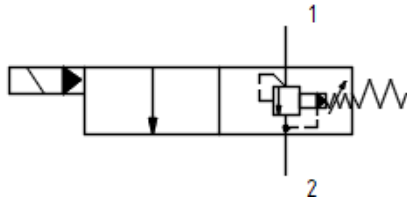
NOTE: DATA MAY VARY BY CONFIGURATION. SEE CONFIGURATION SECTION.

Factory Pressure Settings Established at	15 L/min.
Maximum Operating Pressure	350 bar
Maximum Valve Leakage at 110 SUS (24 cSt)	80 cc/min.@140 bar
Response Time - Typical	50 ms
Adjustment - No. of CW Turns from Min. to Max. setting	3.0
Locknut Hex Size	11,1 mm
Locknut Torque	5 - 6 Nm
U.S. Patent #	10,533,584
Seal kit - Cartridge	Buna: 990010007
Seal kit - Cartridge	Polyurethane: 990010002
Seal kit - Cartridge	Viton: 990010006

**CONFIGURATION OPTIONS**

**Model Code Example: RVCKLJN**

CONTROL	(L) ADJUSTMENT RANGE	(J) SEAL MATERIAL	(N) COIL *
L Standard Screw Adjustment	J 300 - 5000 psi (20 - 350 bar), 1000 psi (70 bar) Standard Setting	N Buna-N E EPDM V Viton	No coil * Additional coil options are available



This FLeX Series solenoid-operated, 2-stage, balanced relief cartridge is a pressure regulating valve.

The valve is normally in relief mode. In relief mode, the valve is open to tank (port 2), throttling flow to regulate the pressure when the pressure at the inlet (port 1) reaches the valve setting. The setting is adjustable with an adjust screw.

Energizing the solenoid opens the main chamber to tank and the valve becomes vented. The pressure drop from the inlet (port 1) to tank (port 2) is typically 100 psi (see performance curves).

**TECHNICAL DATA**

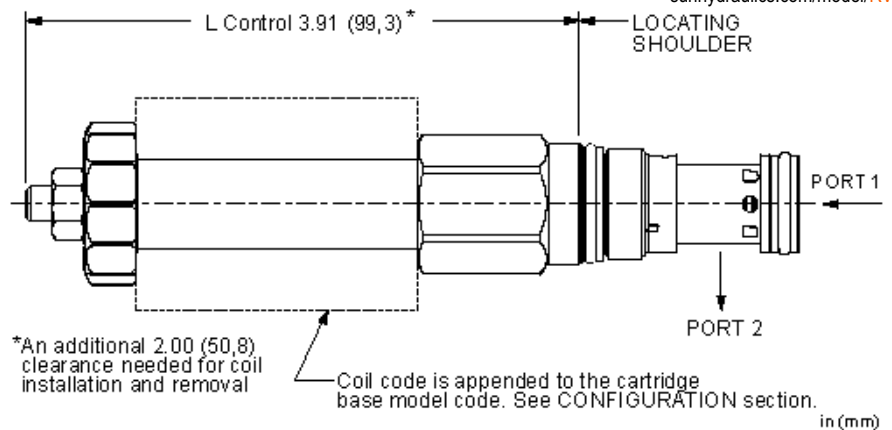
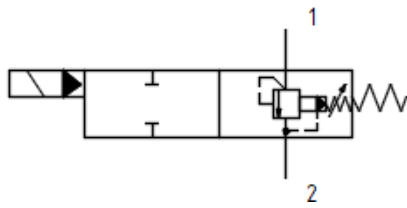
NOTE: DATA MAY VARY BY CONFIGURATION. SEE CONFIGURATION SECTION.

Factory Pressure Settings Established at	15 L/min.
Maximum Operating Pressure	350 bar
Maximum Valve Leakage at 110 SUS (24 cSt)	80 cc/min.@140 bar
Response Time - Typical	50 ms
Adjustment - No. of CW Turns from Min. to Max. setting	3.0
Locknut Hex Size	11,1 mm
Locknut Torque	5 - 6 Nm
Seal kit - Cartridge	Buna: 990010007
Seal kit - Cartridge	Polyurethane: 990010002
Seal kit - Cartridge	Viton: 990010006

**CONFIGURATION OPTIONS**

**Model Code Example: RVCLLJN**

CONTROL	(L) ADJUSTMENT RANGE	(J) SEAL MATERIAL	(N) COIL *
L Standard Screw Adjustment	J 300 - 5000 psi (20 - 350 bar), 1000 psi (70 bar) Standard Setting	N Buna-N E EPDM V Viton	No coil  * Additional coil options are available



This FLeX Series solenoid-operated, 2-stage, balanced relief cartridge is a pressure regulating valve.

The valve is normally in relief mode. In relief mode, the valve is open to tank (port 2), throttling flow to regulate the pressure when the pressure at the inlet (port 1) reaches the valve setting. The setting is adjustable with an adjust screw.

Energizing the solenoid blocks pilot flow. The valve blocks the flow path from inlet (port 1) to tank (port 2) similar to a spool-type directional valve.

**TECHNICAL DATA**

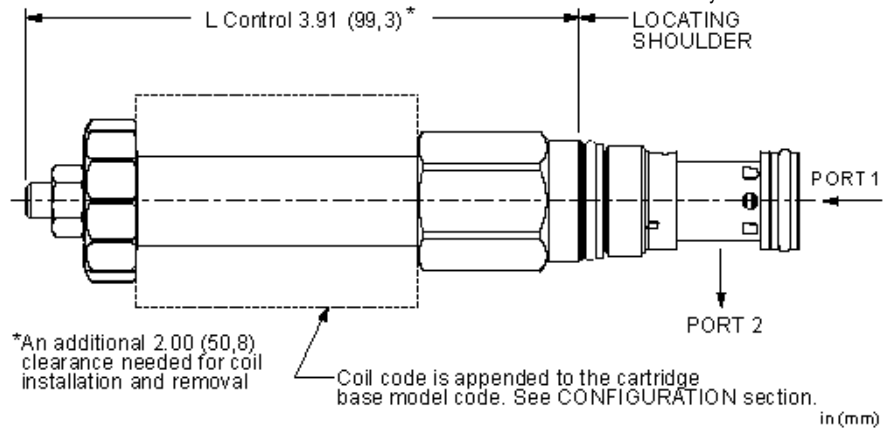
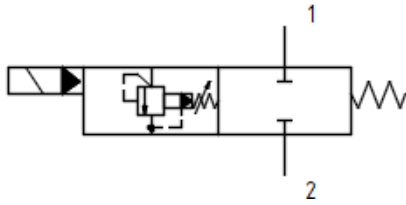
NOTE: DATA MAY VARY BY CONFIGURATION. SEE CONFIGURATION SECTION.

Factory Pressure Settings Established at	15 L/min.
Maximum Operating Pressure	350 bar
Maximum Valve Leakage at 110 SUS (24 cSt)	80 cc/min.@210 bar
Response Time - Typical	50 ms
Adjustment - No. of CW Turns from Min. to Max. setting	3.0
Locknut Hex Size	11,1 mm
Locknut Torque	5 - 6 Nm
Seal kit - Cartridge	Buna: 990010007
Seal kit - Cartridge	Polyurethane: 990010002
Seal kit - Cartridge	Viton: 990010006

**CONFIGURATION OPTIONS**

**Model Code Example: RVCMLJN**

CONTROL	(L) ADJUSTMENT RANGE	(J) SEAL MATERIAL	(N) COIL *
L Standard Screw Adjustment	J 300 - 5000 psi (20 - 350 bar), 1000 psi (70 bar) Standard Setting	N Buna-N E EPDM V Viton	No coil  * Additional coil options are available



This FLeX Series solenoid-operated, 2-stage, balanced relief cartridge is a pressure regulating valve.

The valve is normally blocked. De-energized, the valve blocks the flow path from inlet (port 1) to tank (port 2) similar to a spool-type directional valve.

Energizing the solenoid activates the relief function. In relief mode, the valve opens to tank (port 2), throttling flow to regulate the pressure when the pressure at the inlet (port 1) reaches the valve setting. The setting is adjustable with an adjust screw.

**TECHNICAL DATA**

NOTE: DATA MAY VARY BY CONFIGURATION. SEE CONFIGURATION SECTION.

Factory Pressure Settings Established at	15 L/min.
Maximum Operating Pressure	350 bar
Maximum Valve Leakage at 110 SUS (24 cSt)	80 cc/min.@210 bar
Response Time - Typical	50 ms
Adjustment - No. of CW Turns from Min. to Max. setting	3.0
Locknut Hex Size	11,1 mm
Locknut Torque	5 - 6 Nm
Seal kit - Cartridge	Buna: 990010007
Seal kit - Cartridge	Polyurethane: 990010002
Seal kit - Cartridge	Viton: 990010006

**CONFIGURATION OPTIONS**

**Model Code Example: RVCNLJN**

CONTROL	(L) ADJUSTMENT RANGE	(J) SEAL MATERIAL	(N) COIL *
L Standard Screw Adjustment	J 300 - 5000 psi (20 - 350 bar), 1000 psi (70 bar) Standard Setting	N Buna-N E EPDM V Viton	No coil * Additional coil options are available

# smart SOLUTIONS for DEMANDING applications



[www.sunhydraulics.com](http://www.sunhydraulics.com)

Sun Hydraulics Headquarters  
Sarasota, Florida USA  
+1 941 362 1200

Sun Hydraulics Limited  
Coventry England  
+44 2476 217 400  
[sales@sunuk.com](mailto:sales@sunuk.com)

Sun Hydraulik GmbH  
Erkelenz Germany  
+49 2431 80910  
[sales@sunhydraulik.de](mailto:sales@sunhydraulik.de)

Sun Hydraulics Corp. (India)  
Bangalore India  
+91 8028 456325  
[sunindiainfo@sunhydraulics.com](mailto:sunindiainfo@sunhydraulics.com)

Sun Hydraulics Korea Corp.  
Incheon Korea  
+82 3281 31350  
[sales@sunhydraulics.co.kr](mailto:sales@sunhydraulics.co.kr)

Sun Hydraulics China Co. Ltd.  
Shanghai P.R. China  
+86 2162 375885  
[sunchinainfo@sunhydraulics.com](mailto:sunchinainfo@sunhydraulics.com)

Sun Hydraulics Corp. (S.America)  
Rosario, Argentina  
+54 9 341 584 3075  
[ventas@sunhydraulics.com](mailto:ventas@sunhydraulics.com)